

<b>Nominal Heat Output:</b>	4.5KW
<b>Heat Output Range:</b>	1.5 to 5.5 KW
<b>Wood Efficiency:</b>	81.1%
<b>Energy Efficiency Rating:</b>	A+

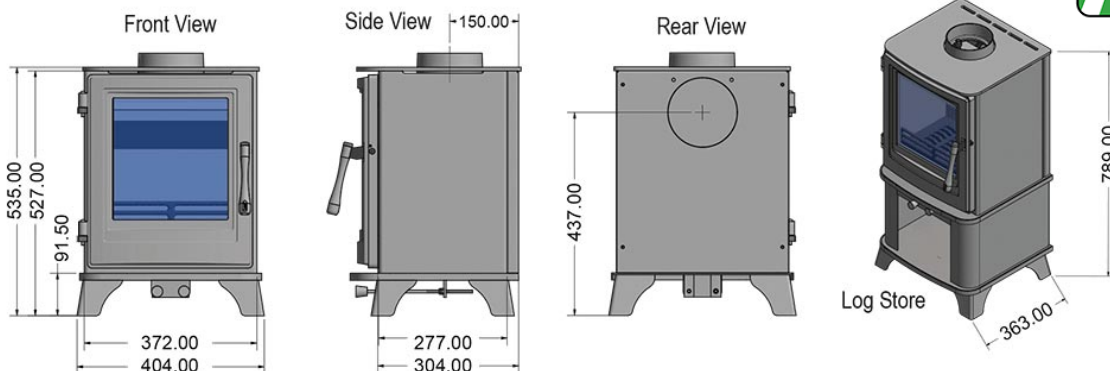
Weight:	74 Kg
Viewable Glass Size (mm):	250 W x 262 H
Overall Stove Dimensions (mm):	404 W x 535 H x 354 D
Smoke Exemption Approved:	YES
ECO-Design Approved:	YES
Construction:	Cast Door / Steel Body
Finish:	Matt Black
Warranty:	5 Years
External Air Kit:	Yes – Optional
Air Controls:	2 x Pull Out Air Controllers
Log Store:	YES – Optional 345mm High
Flue Outlet & Options:	5.0"/128mm – Top or Rear
Multi-Fuel Stove:	YES



## Willow Compact

The Willow Compact stove has a minimal footprint in size but not in its heat output. It has been specifically designed to fit into the smallest fireplace opening, yet can heat your room with its impressive performance and is so easy to use.

This stove has Leaf's 3-Way Air Management System for maximum efficiency, which is fully controlled by the 2 Pull out Air Controllers at the front of the stove, including Primary Air, a Secondary Air wash to keep the door glass clean & Tertiary Air to the rear to ensure all fuel is burnt in the most efficient and clean manner.



<b>Nominal Heat Output:</b>	5.0KW
<b>Heat Output Range:</b>	2.5 to 6.5 KW
<b>Wood Efficiency:</b>	84.8%
<b>Energy Efficiency Rating:</b>	A+

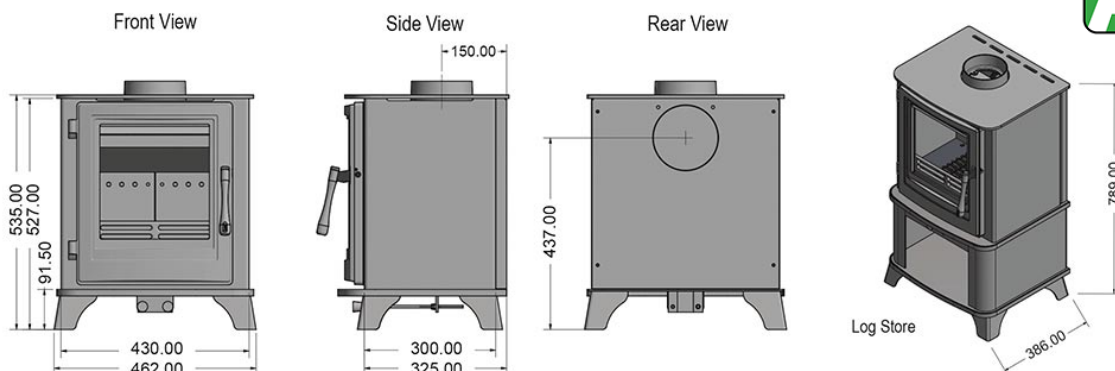
Weight:	84 Kg
Viewable Glass Size (mm):	250 W x 262 H
Overall Stove Dimensions (mm):	462 W x 535 H x 375 D
Smoke Exemption Approved:	YES
ECO-Design Approved:	YES
Construction:	Cast Door / Steel Body
Finish:	Matt Black
Warranty:	5 Years
External Air Kit:	Yes – Optional
Air Controls:	2 x Pull Out Air Controllers
Log Store:	YES – Optional 345mm High
Flue Outlet & Options:	5.0"/128mm – Top or Rear
Multi-Fuel Stove:	YES



## Willow Classic

The Willow Classic stove is stylish and elegant and is one of the highest performing stoves available on the market today with a total efficiency of over 84%. The Classic is easy to use and will enhance any room it is installed in.

This stove has Leaf's 3-Way Air Management System for maximum efficiency, which is fully controlled by the 2 Pull out Air Controllers at the front of the stove, including Primary Air, a Secondary Air wash to keep the door glass clean & Tertiary Air to the rear to ensure all fuel is burnt in the most efficient and clean manner.



<b>Nominal Heat Output:</b>	5.0KW
<b>Heat Output Range:</b>	2.5 to 9.0 KW
<b>Wood Efficiency:</b>	77.6%
<b>Energy Efficiency Rating:</b>	A

Weight:	114 Kg
Viewable Glass Size (mm):	441 W x 336 H
Overall Stove Dimensions (mm):	595 W x 625 H x 375 D
Smoke Exemption Approved:	YES
ECO-Design Approved:	YES
Construction:	Cast Door / Steel Body
Finish:	Matt Black
Warranty:	5 Years
External Air Kit:	Yes – Optional
Air Controls:	2 x Pull Out Air Controllers
Log Store:	YES – Optional 362mm High
Flue Outlet & Options:	5.0"/128mm – Top or Rear
Multi-Fuel Stove:	YES



## Willow Grande

The Willow Grande stove has a huge panoramic glass panel, so you get the full effect of the dancing flames from any angle within your room. The Grande is perfect for any room, especially ones with larger fireplaces but still with a nominal heat output of 5.0 Kw's and is extremely easy to use.

This stove has Leaf's 3-Way Air Management System for maximum efficiency, which is fully controlled by the 2 Pull out Air Controllers at the front of the stove, including Primary Air, a Secondary Air wash to keep the door glass clean & Tertiary Air to the rear to ensure all fuel is burnt in the most efficient and clean manner.

